

DF 307 ROTARO

Fine Shredder



Doppstadt

WE CARE

DF 307 ROTARO



DF 307 ROTARO

FEATURES:

- Robust steel structure
- Hydraulic pusher with load sensing control
- Large maintenance access panels guarantee good accessibility to the shredding chamber
- Exchangeable knives for rotor and stator - rapid change of knives by way of simple fixing arrangements
- Easy sieve exchange - grade adjustable to customer requirement - round or rhombus forms
- High energy efficiency due to large rotor mass
- Intelligent shearing apparatus protects the machine against the ingress of hard solid objects in the shredding chamber
- Fast service resumption in the case of breakdown

DF 307 ROTARO



DF 307 ROTARO

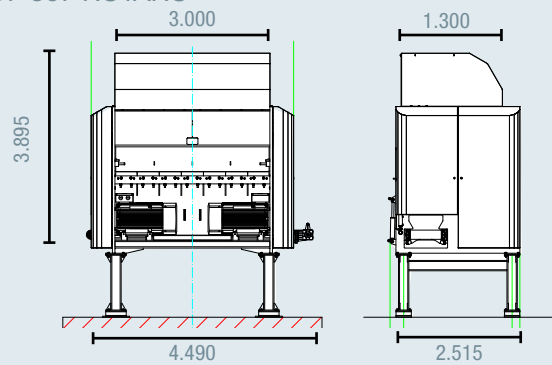
The Doppstadt DF 307 ROTARO is an especially efficient single shaft secondary shredder for the processing of derived fuel products and other materials. The robust steel body and simple assembly guarantees a long lifespan and the high running smoothness of the machine. High rotor mass increases the energy efficiency of the drive since torque peaks do not have to be compensated for by electric drives alone. The rotor is driven by two three-phase AC motors power coupled to the rotor by drive belts.

The knives are easily exchanged and can be repeatedly reused, which guarantees the shortest downtime during the knife exchange and high usability of the machine. The coarseness of the end product can be selected using interchangeable sieves with different mesh size.

TECHNICAL DATA

Drive	Type	AC Motor
	Power	2 x 160 kilowatts
Rotor	Length	3.000 mm
	Diameter rotor without knives	600 mm
	with knives	750 mm
	Rotation speed	300 rpm
Machine dimensions	L/W/H	4.490/2.515/3.895 mm
Hopper dimensions	L/H	3.000/1.300 mm
Total weight		24.000 kg
Discharge conveyor		AA 4.200 x BB 800 mm

DF 307 ROTARO



Werner Doppstadt Umwelttechnik
GmbH & Co. KG
Steinbrink 13
D-42555 Velbert
Tel.: +49 (0) 20 52 / 889 - 0
Fax: +49 (0) 20 52 / 889 - 144
info@doppstadt.de
www.doppstadt.com

Doppstadt

WE CARE